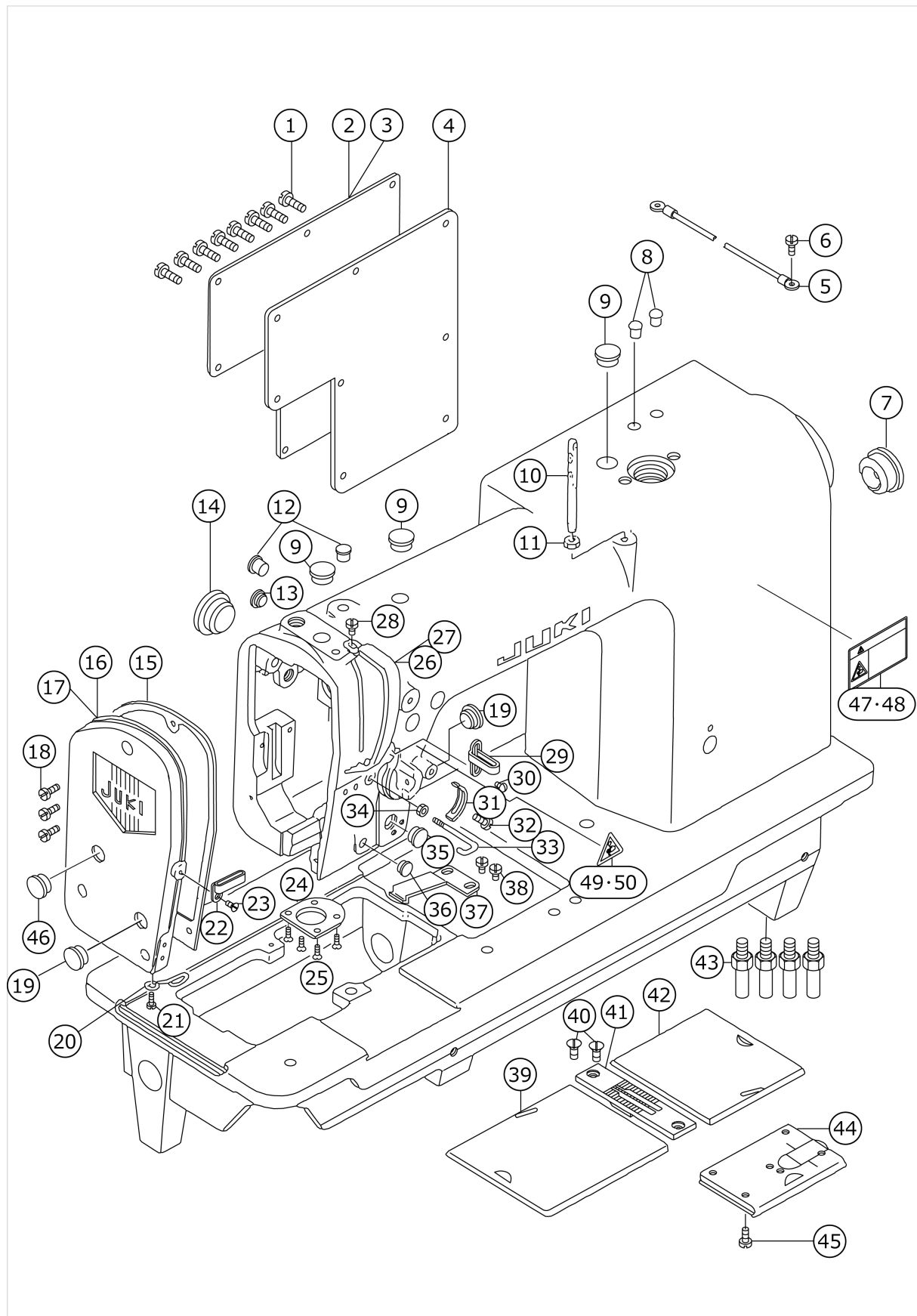


LH-1152

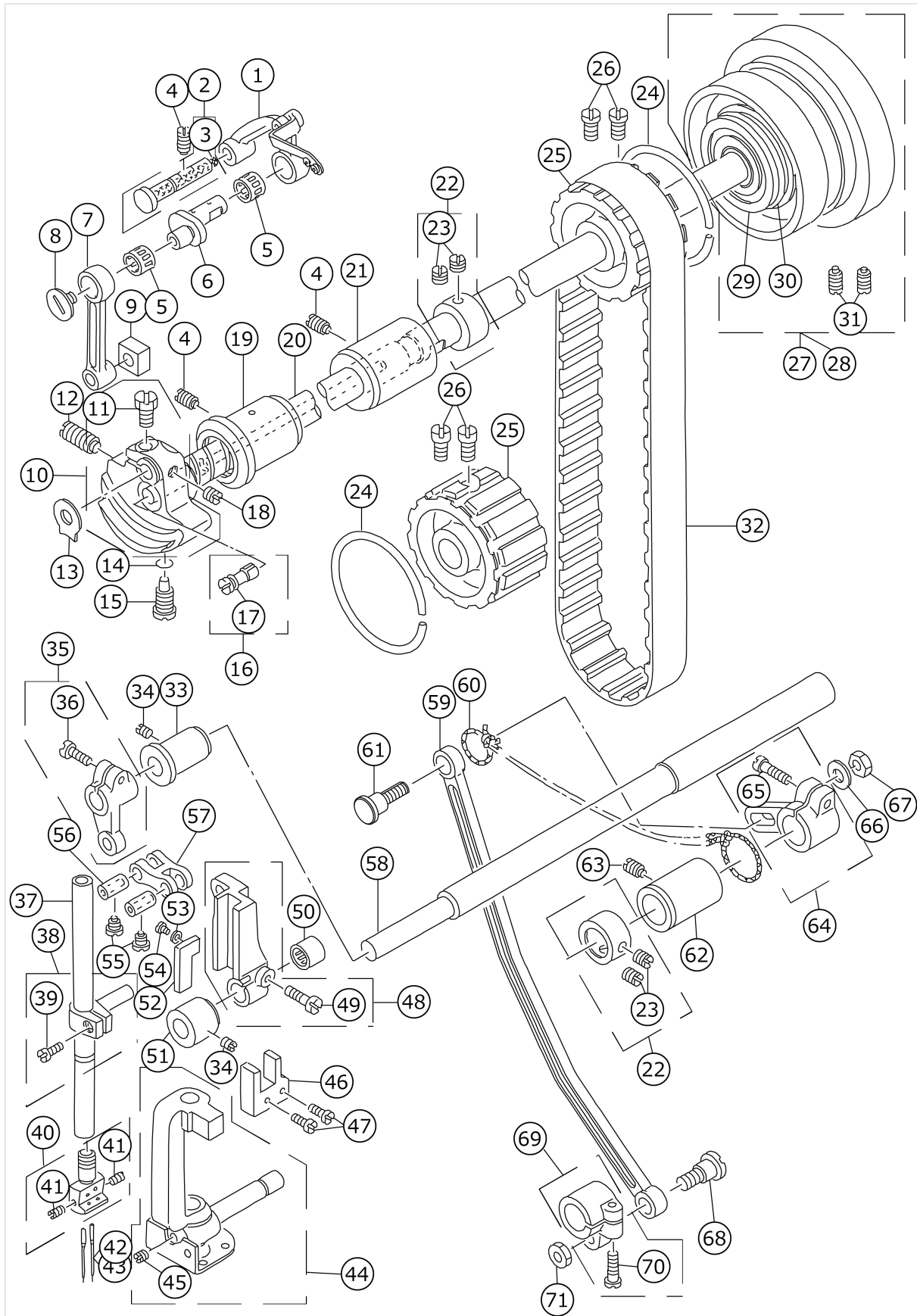
MACHINE FRAME & MISCELLANEOUS COVER COMPONENTS



No.	品番	品名	備考	子部品	消耗品	個数
1	SS7110910SP	SCREW 11/64-40 L=8.5				8.00
2	10100907	SIDE PLATE				1.00
3	10602902	SLIDE PLATE	FOR URBAN WHITE SPECIFICATION PARTS.			1.00
4	10101004	GASKET				1.00
5	10741759	GROUND WIRE ASM.				1.00
6	SS7110710SP	SCREW 11/64-40 L=7				1.00
7	TA2351004R0	RUBBER PLUG				1.00
8	TA0550604R0	RUBBER PLUG				2.00
9	TA1250504R0	RUBBER PLUG				3.00
10	B1114051000	NEEDLE THREAD GUIDE PIN				1.00
11	NS6620310SP	NUT 3/16-32				1.00
12	TA0750704R0	RUBBER PLUG				2.00
13	TA0750404R0	PLUG D=7.5 L=3.5				1.00
14	TA2100904R0	RUBBER PLUG				1.00
15	10100808	GASKET				1.00
16	10100758	FACE PLATE ASM.				1.00
17	10160851	FACE PLATE ASM.	FOR URBAN WHITE SPECIFICATION PARTS.			1.00
18	SS7111120SP	SCREW 11/64-40 L=10.5				3.00
19	TA1250406R0	RUBBER PLUG D=12.5 L=4				2.00
20	10101509	THREAD GUIDE, D				1.00
21	SS5090610SP	SCREW 9/64-40 L=6				1.00
22	10101400	THREAD GUIDE, C				1.00
23	SS2090710SP	SCREW 9/64-40 L=7				7.00
24	10101103	PLATE				1.00
25	SS2080810SP	SCREW 1/8-44 L=7.5				4.00
26	B1123552000A	THREAD TAKE UP LEVER OIL GUARD				1.00
27	B1123552A00	THRED TAKE-UP LEVER OIL GUARD	FOR URBAN WHITE SPECIFICATION PARTS.			1.00
28	SS7110510SP	SCREW 11/64-40 L=5				1.00
29	10101301	THREAD GUIDE, B	REPLACE THIS PARTS FOR STITCH SPECIFICATION G.(SEE PAGE 11)			1.00
30	SS5090610SP	SCREW 9/64-40 L=6				1.00
31	B3138512000	TAKE-UP SPRING ADJUSTING PLATE				1.00
32	SS7090520SP	SCREW 9/64-40 L= 4.5				1.00
33	10101202	THREAD GUIDE, A				1.00
34	B1132512000	NUT				1.00
35	TA1050604R0	RUBBER PLUG				1.00
36	TA0750404R0	PLUG D=7.5 L=3.5				1.00
37	B1111563000	BED SLIDE SPRING				1.00
38	SS7110510SP	SCREW 11/64-40 L=5				2.00
39	10146009	BED SLIDE, LEFT 3/32 TO 7/16	EXCHANGING GAUGE PARTS SEE PAGE 21 ~ 25 FOR STITCH SPECIFICATIONS A.G AND S AND PAGE 12 AND PAGE 26			1.00

40	SS2110920TP	SCREW 11/64-40 L=8.5				2.00
41	10135309	THROAT PLATE 3/16	EXCHANGING GAUGE PARTS SEE PAGE 21 ~ 25 FOR STITCH SPECIFICATIONS A,G AND S AND PAGE 12 AND PAGE 26 FOR STITCH SPECIFICATION F,R ESPECTIVELY.			1.00
42	10146504	BED SLIDE, RIGHT 3/32 TO 7/16	EXCHANGING GAUGE PARTS SEE PAGE 21 ~ 25 FOR STITCH SPECIFICATIONS A,G AND S AND PAGE 12 AND PAGE 26 FOR STITCH SPECIFICATION F,R ESPECTIVELY.			1.00
43	22602601	BED SCREW STUD				3.00
44	10100659	BED SLIDE ASM.	REPLACE THIS PARTS FOR A,B TYPES FOR TAPE ATTACHING WITH STITCH SPECIFICATION F.(SEE PAGE 12)			1.00
45	SS3130710SP	SCREW 13/64-32 L=6.5				3.00
46	TA2050406R0	RUBBER PLUG				1.00
47	CM300200101	SAFETY LABEL, 1(SMALL).	FOR USE IN JAPAN			1.00
48	CM3002001A1	SAFETY LABEL.,3 (SMALL).	EXCEPT JE & USE IN JAPAN			1.00
49	CM300200001	ATTENTION SEAL	FOR JE			1.00
50	CM3002000B1	LABEL(16)	FOR USE IN JAPAN			1.00

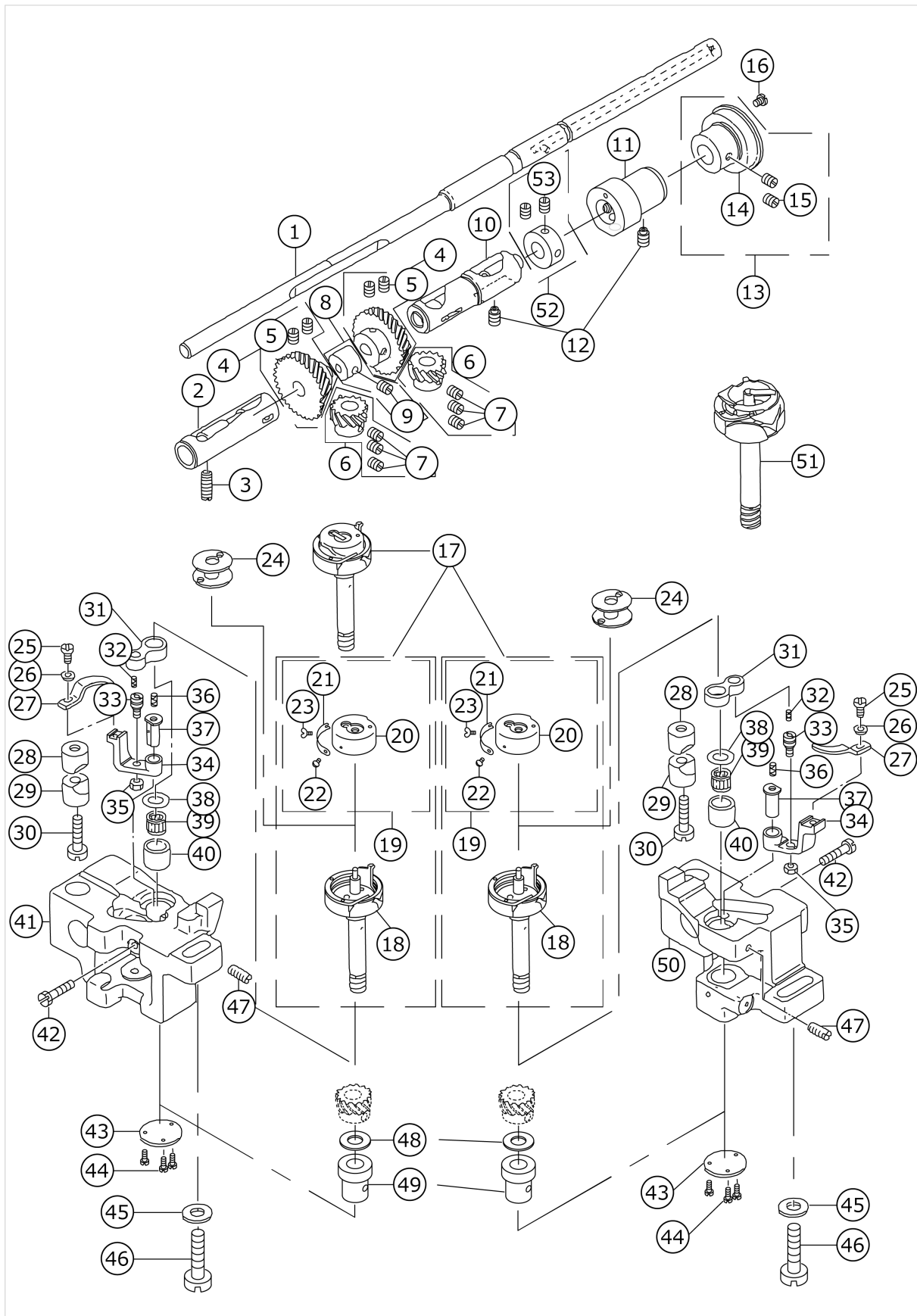
MAIN SHAFT, NEEDLE FEED & NEEDLE BAR COMPONENTS



No.	品番	品名	備考	子部品	消耗品	個数
1	10102853	THREAD TAKE-UP LEVER ASM.				1.00
2	B19045520A0	CRANK SHAFT STUD ASM.				1.00
3	CQ3500000F0	OIL FELT		*		0.10
4	SS8151150SP	SCREW 15/64-28 L=10.5				3.00
5	B1905541B00	NEEDLE BEARING	SELECTIVE PARTS			2.00
6	10102705	NEEDLE BAR CRANK				1.00
7	10104701	NEEDLE BAR CRANK ROD				1.00
8	B1903552000	LEFT SCREW				1.00
9	B1414555000	SLIDE BLOCK				1.00
10	10102655	COUNTERWEIGHT ASM.				1.00
11	SS9661120CP	SCREW 1/4-40 L=10.5		*		1.00
12	SS8681950SP	SCREW 9/32-28 L=19				1.00
13	B1212552A00	COUNTERWEIGHT PROTECTING PLATE				1.00
14	RO044240100	RUBBER RING				1.00
15	SS7681650TP	SCREW 9/32-28 L=16				1.00
16	B12135520A0A	OIL AMOUNT ADJUSTING PIN ASM.				1.00
17	RO029180100	RUBBER RING		*		1.00
18	SS8660610TP	SCREW 1/4-40 L=6				1.00
19	10188902	MAIN SHAFT BUSHING, FRONT				1.00
20	10102507	MAIN SHAFT				1.00
21	10103000	MAIN SHAFT BUSHING, INTERMED.				1.00
22	22904155	MAIN SHAFT THRUST COLLAR ASM.				2.00
23	SS8660610TP	SCREW 1/4-40 L=6		*		4.00
24	B1214019000	SPROCKET RING				2.00
25	10103109	SPROCKET WHEEL				2.00
26	SS6661110SP	SCREW 1/4-40 L=11				4.00
27	10103257	HAND WHEEL ASM.				1.00
28	10161057	HAND WHEEL ASM.	FOR URBAN WHITE PARTS			1.00
29	SB120000100	BEARING D=20X47		*		1.00
30	RO437200200	RUBBER RING		*		1.00
31	SS8151550SP	SCREW 15/64-28 L=15		*		2.00
32	10103406	TIMING BELT				1.00
33	10121705	BUSHING				1.00
34	SS8150510TP	SCREW 15/64-28 L= 4.7				2.00
35	B29074150A0	DRIVING CRANK ASM.				1.00
36	SS6121220TP	SCREW 3/16-28 L=11.5		*		1.00
37	10104602	NEEDLE BAR				1.00
38	10104859	NEEDLE BAR CONNECTION ASM.				1.00
39	SS7090910SP	SCREW 9/64-40 L= 8.5		*		1.00
40	10147858	NEEDLE CLAMP ASM. 3/16	EXCHANGING GAUGE PARTS(SEE PAGE 25)			1.00
41	SS8080660TP	SCREW 1/8-44 L=5.5		*		2.00
42	MDP500B1400	NEEDLE DPX5 #14	EXCEPT JE			2.00
43	MC200500900	NEEDLE 134 90	FOR JE			2.00
44	10121069	NEEDLE BAR FRAME ASM.				1.00
45	SS8110510SP	SCREW 11/64-40 L=5		*		1.00
46	10121309	NEEDLE BAR FRAME POSITIONING B				1.00

47	SS7090910SP	SCREW 9/64-40 L= 8.5				2.00
48	10121556	SLIDE BLOCK GUIDE ASM.				1.00
49	SS6121610TP	SCREW 3/16-28 L=15.5		*		1.00
50	B2913412N00	BEARING				1.00
51	10121408	BUSHING				1.00
52	B2915415000	FELT				1.00
53	WP0250516SD	WASHER 2.5X6X0.5				1.00
54	SS6060410TP	SCREW 3/32-56 L= 3.5				1.00
55	SS6090660TP	SCREW 9/64-40 L=6				2.00
56	B1412352A00	NEEDLE BAR LINK PIN, A	SELECTIVE PARTS			2.00
57	B2906415000	DRIVING LINK				1.00
58	10121606	NEEDLE BAR FRAME ROCK SHAFT				1.00
59	10122109	CONNECTING ROD				1.00
60	CQ200000000	OIL WICK				0.30
61	10179208	CONNECTING PIN				1.00
62	10106102	BUSHING				1.00
63	SS8151150SP	SCREW 15/64-28 L=10.5				1.00
64	10121952	DRIVING ARM ASM.				1.00
65	SS6121610TP	SCREW 3/16-28 L=15.5		*		1.00
66	WP0740516SP	WASHER 7.4X11.8X0.5				1.00
67	NS6680410SP	NUT 9/32-28				1.00
68	SD0900701TP	HINGE SCREW D= 9 H= 7				1.00
69	10122257	DRIVING ARM ASM.				1.00
70	SS6121610TP	SCREW 3/16-28 L=15.5		*		1.00
71	NS6680320SP	NUT 9/32-28				1.00

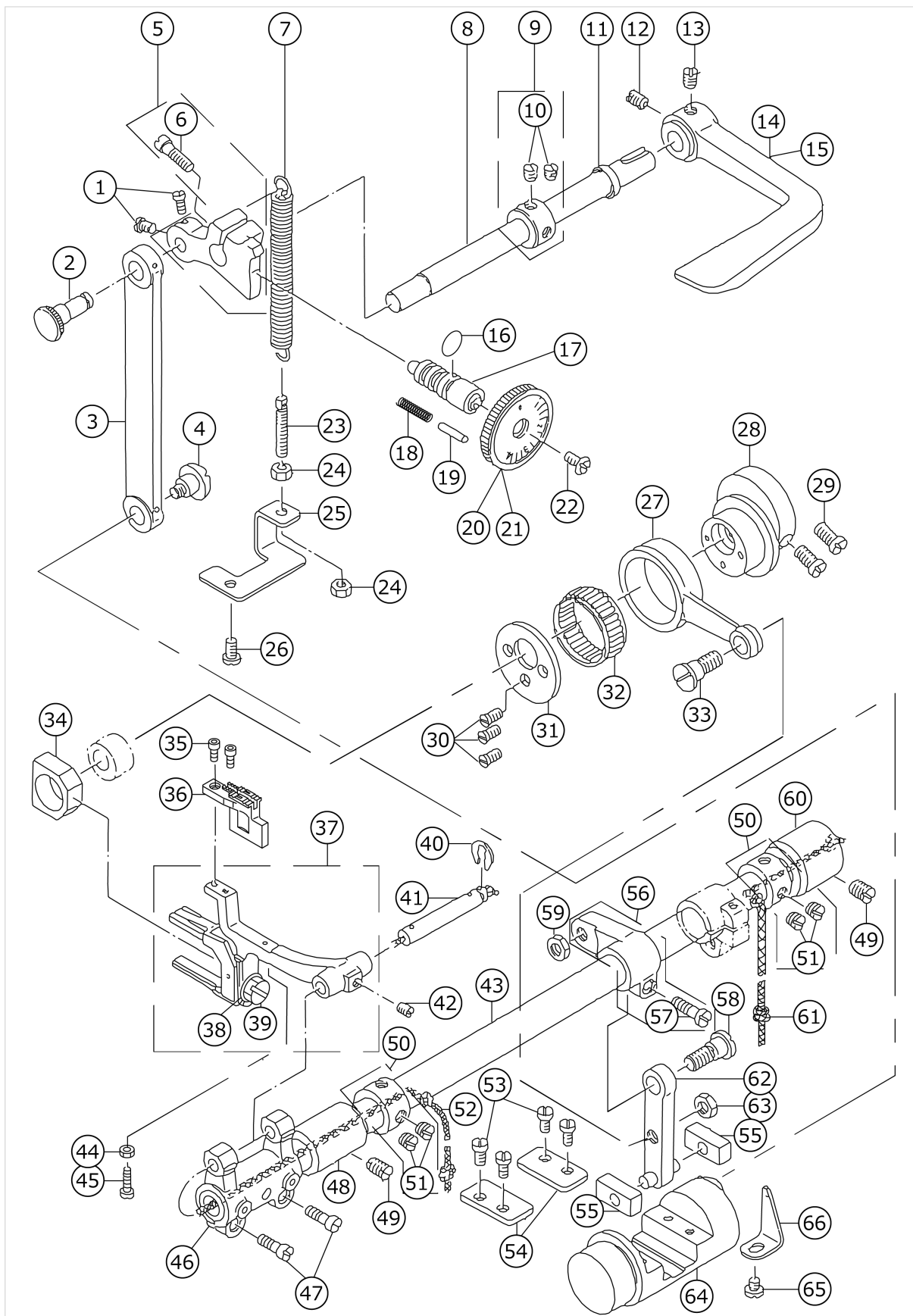
HOOK & HOOK DRIVING SHAFT COMPONENTS



No.	品番	品名	備考	子部品	消耗品	個数
1	10108512	HOOK DRIVING SHAFT				1.00
2	B18025120A0A	BUSHING ASM., FRONT	EXCHANGING GAUGE PARTS SEE PAGE 21 ~ 25 FOR STITCH SPECIFICATIONS A.G AND S AND PAGE 12 AND PAGE 26 FOR STITCH SPECIFICATION F			1.00
3	SS8152030SP	SCREW 15/64-28 L=20				1.00
4	B18165120A0	HOOK DRIVING SHAFT GEAR ASM.				2.00
5	SS8660810TP	SCREW 1/4-40 L=8		*		4.00
6	10112050	HOOK SHAFT GEAR ASM., A	SELECTIVE PARTS			2.00
7	SS8660530TP	SCREW 1/4-40 L= 4.5		*		6.00
8	B18405120A0	FEED DRIVING CAM ASM.				1.00
9	SS8150510TP	SCREW 15/64-28 L= 4.7		*		1.00
10	B18035150A0	BUSHING ASM., INTERMEDIATE	EXCHANGING GAUGE PARTS SEE PAGE 21 ~ 25 FOR STITCH SPECIFICATIONS A.G AND S AND PAGE 12 AND PAGE 26 FOR STITCH SPECIFICATION F			1.00
11	10108611	PLUNGER BUSHING				1.00
12	SS8151150SP	SCREW 15/64-28 L=10.5				2.00
13	10108751	THRUST COLLAR ASM.				1.00
14	SB120000200	BEARING 20X42		*		1.00
15	SS8660610TP	SCREW 1/4-40 L=6		*		2.00
16	SS6110610TP	SCREW 11/64-40 L=6				1.00
17	10110153	HOOK ASM.				2.00
18	10110104	HOOK ASM.		*		2.00
19	10110252	BOBBIN CASE ASM.		*		2.00
20	10110203	BOBBIN CASE		*		2.00
21	10110401	BOBBIN CASE TENSION SPRING		*		2.00
22	10110500	TENSION SPRING INSTALLING SCRE		*		2.00
23	10110609	TENSION ADJUSTING SCREW		*		2.00
24	B9117051000	BOBBIN				2.00
25	SS6090810SP	SCREW 9/64-40 L= 7.5				2.00
26	WP0371016SD	WASHER 3.7X8X1				2.00
27	10111805	BOBBIN CASE OPENING LEVER				2.00
28	10109908	SADDLE INSTALLING BLOCK, UPPER				2.00
29	10112407	SADDLE INSTALLING BLOCK, LOWER				2.00
30	SS6153040SP	SCREW 15/64-28 L=30				2.00
31	B1820563000	BOBBIN CASE OPENING LEVER LINK				2.00
32	CQ202000000	OIL WICK				0.10
33	B1821051000	CRANK SCREW STUD				2.00

34	B1822051000	OPENING LEVER CRANK				2.00
35	NS6110420SP	NUT 11/64-40				2.00
36	CQ202000000	OIL WICK				0.10
37	B1823051000	OPENING LEVER CRANK PIN				2.00
38	10109809	THRUST WASHER, B	SELECTIVE PARTS			2.00
39	SB30953010C	NEEDLE BEARING 9.525X9.52	SELECTIVE PARTS			2.00
40	10109205	BUSHING				2.00
41	10109007	HOOK SHAFT SADDLE, LEFT				1.00
42	SS9111820SP	SCREW 11/64-40 L=18				2.00
43	B1860512000	HOOK SHAFT SADDLE COVER				2.00
44	SS7060610SP	SCREW 3/32-56 L= 5.5				6.00
45	WP0850002SP	WASHER 8.5X18X1.6				2.00
46	SM7082550SP	SCREW M8 L=25				2.00
47	SS8151550SP	SCREW 15/64-28 L=15				2.00
48	B1818051B00	THRUST WASHER, B				2.00
49	10179307	BUSHING, LOWER				2.00
50	10109106	HOOK SHAFT SADDLE, RIGHT				1.00
51	10197655	LATCH HOOK ASM.	FOR JE			1.00
52	CS1470710SH	THRUST COLLAR ASM. D=14.72 W=7				1.00
53	SS8110410TP	SCREW 11/64-40 L= 3.5		*		2.00

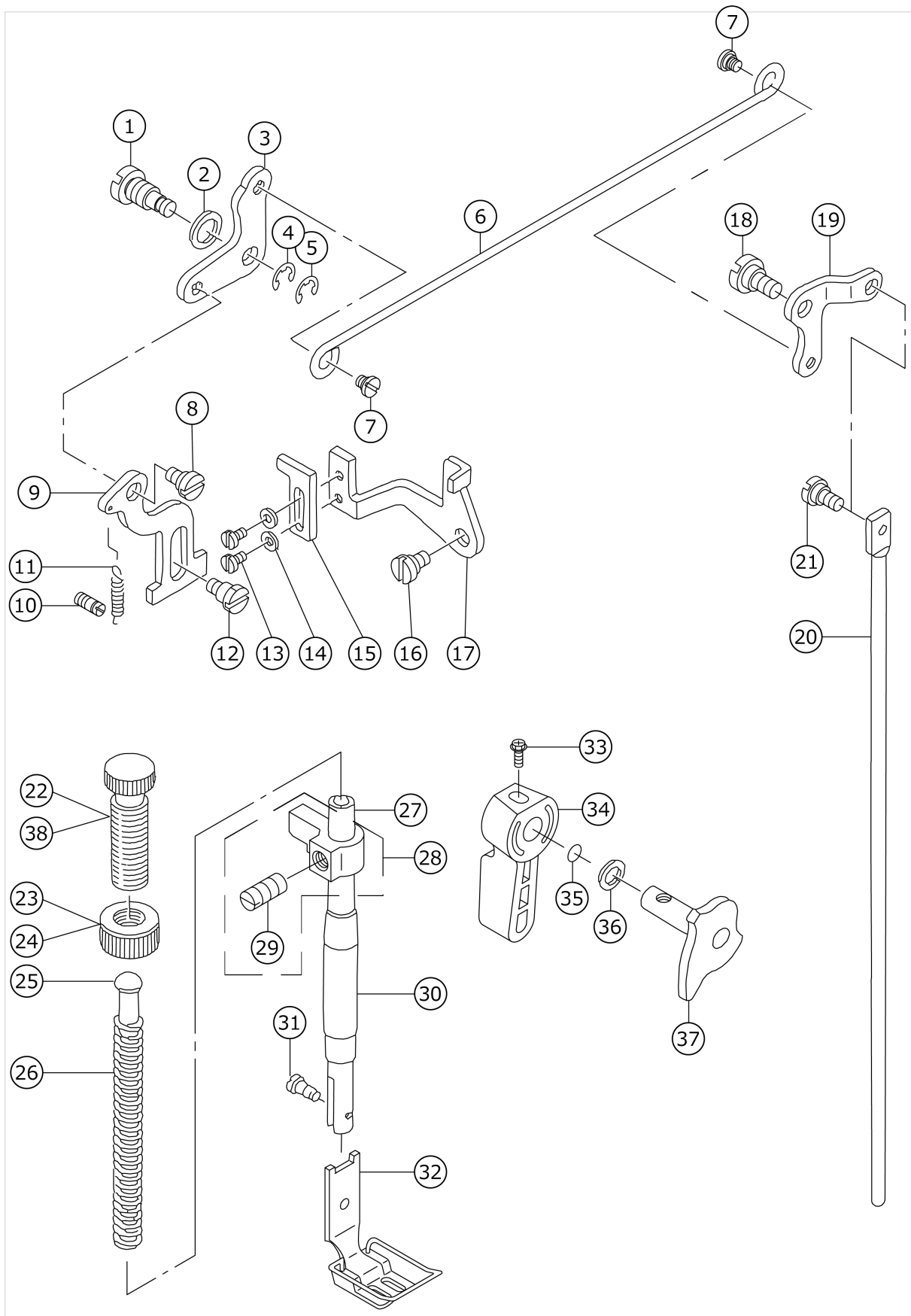
FEED MECHANISM COMPONENTS



No.	品番	品名	備考	子部品	消耗品	個数
1	SS6110710TP	SCREW 11/64-40 L= 6.5				2.00
2	10107001	ROD PIN				1.00
3	10106904	FEED REGULATOR CONNECTING ROD				1.00
4	SD0900702TP	HINGE SCREW D=9 H=7				1.00
5	10107159	FEED REGULATOR ASM.				1.00
6	SS6121610TP	SCREW 3/16-28 L=15.5		*		1.00
7	B1513280000	TENSION SPRING				1.00
8	10107506	REVERSE FEED SHAFT				1.00
9	CS102121ASH	THRUST COLLAR ASM. D=10.2 W=12				1.00
10	SS8660610TP	SCREW 1/4-40 L=6		*		2.00
11	10108009	OIL SEAL				1.00
12	SS8660810TP	SCREW 1/4-40 L=8				1.00
13	SS8661040TP	SCREW 1/4-40 L=10				1.00
14	B1624380000	REVERSE FEED CONTROL LEVER				1.00
15	B162438000A	REVERSE FEED CONTROL LEVER	FOR URBAN WHITE SPECIFICATION PARTS			1.00
16	RO074240100	RUBBER RING				1.00
17	B1634470000	STITCH LENGTH REGULATING SCREW				1.00
18	22912109	FEED REGULATOR PIN SPRING				1.00
19	B1147555000	PIN				1.00
20	B16234700A0	STITCH DIAL ASM.	REPLACE THIS PARTS FOR STITCH SPECIFICATION G.(SEE PAGE 11)			1.00
21	B16234700AA	STITCH DIAL ASM.	FOR URBAN WHITE SPECIFICATION PARTS			1.00
22	SS6121050SP	SCREW 3/16-28 L= 9.5				1.00
23	B1649161000	TENSION SPRING ADJUSTING SCREW				1.00
24	NS6110420SP	NUT 11/64-40				2.00
25	10107209	TENSION SPRING SUSPENSION BRAC				1.00
26	SS7110910SP	SCREW 11/64-40 L=8.5				1.00
27	10106300	FEED ROCKER SHAFT CONNECTING R				1.00
28	B1610484000	FEED DRIVE ECCENTRIC CAM				1.00
29	SS6661110SP	SCREW 1/4-40 L=11				2.00
30	SS2110930SP	SCREW 11/64-40 L=8.7				3.00
31	B1637432000	THRUST COLLAR				1.00
32	B1636581B00	NEEDLE BEARING B	SELECTIVE PARTS			1.00
33	SD0900701TP	HINGE SCREW D= 9 H= 7				1.00
34	B1610512000	FEED DRIVING SLIDE BLOCK				1.00
35	SS6580752TP	SCREW 1/8-40 L=7				2.00
36	B1613512D00	FEED DOG 3/16	EXCHANGING GAUGE PARTS SEE PAGE 21 ~ 25 FOR STITCH SPECIFICATIONS A,G AND S AND PAGE 12 AND PAGE 26 FOR STITCH SPECIFICATION F,R ESPECTIVELY.			1.00

37	10107753	FEED BAR ASM.				1.00
38	WP0621016SD	WASHER 6.2X13X1		*		1.00
39	SS9151440CP	SCREW 15/64-28 L=14		*		1.00
40	RE0500711KP	SNAP RING 5				1.00
41	B1604012000A	FEED BAR SHAFT				1.00
42	SM8050502TP	SCREW M5 L=5				1.00
43	10106003	FEED ROCK SHAFT				1.00
44	NS6080210SP	NUT 1/8-44				1.00
45	SS6081810SP	SCREW 1/8-44 L=18.0				1.00
46	B1603512000	FEED ROCKER				1.00
47	SS7111310TP	SCREW 11/64-40 L=12.8				2.00
48	10106102	BUSHING				1.00
49	SS8681130SP	SCREW 9/32-28 L=11				2.00
50	22904155	MAIN SHAFT THRUST COLLAR ASM.				2.00
51	SS8660610TP	SCREW 1/4-40 L=6		*		4.00
52	CQ252000000	OIL WICK				0.40
53	SS7110910SP	SCREW 11/64-40 L=8.5				4.00
54	10106805	PLATE				2.00
55	B1652470000	FEED DRIVING ROCKER BLOCK				2.00
56	10106557	FEED ROCKER SHAFT CRANK ASM.				1.00
57	SS6121610TP	SCREW 3/16-28 L=15.5		*		1.00
58	SD0900701TP	HINGE SCREW D= 9 H= 7				1.00
59	NS6680410SP	NUT 9/32-28				1.00
60	10106201	BUSHING				1.00
61	CQ303000000	OIL WICK				0.30
62	10106458	FEED ROCK CONNCTING ROD ASM.				1.00
63	NS6680410SP	NUT 9/32-28				1.00
64	10106656	FEED DRIVING ROCKER ASM.				1.00
65	SS7110510SP	SCREW 11/64-40 L=5				1.00
66	B1633470000	STOPPER PLATE				1.00

PRESSER BAR & TENSION RELEASE COMPONENTS(FOR LH-2178-7)

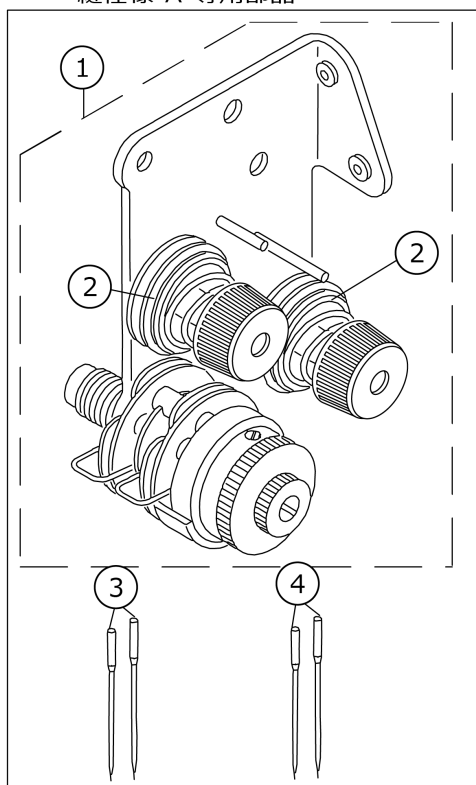


No.	品番	品名	備考	子部品	消耗品	個数
1	B1517415000	HINGE PIN				1.00
2	B3431581000	LIFTING LEVER GASKET				1.00
3	10105609	LIFTING LEVER LINK, LEFT				1.00
4	RE0600000K0	E-RING 6				1.00
5	B1523226000	SNAP RING				1.00
6	10125003	LIFTING LEVER CONNECTING ROD				1.00
7	11007101	HINGE SCREW				2.00
8	SD0630301SP	HINGE SCREW D=6.35 H=3				1.00
9	B1515415000	LIFTING LEVER				1.00
10	B1531415000	SUSPENSION				1.00
11	B1522180000	SPRING				1.00
12	SD0630275SP	HINGE SCREW D= 6.35 H= 2.7				1.00
13	SS7080520SP	SCREW 1/8-44 L=4.9				2.00
14	WP0330500MB	WASHER 3.3X6X0.5				2.00
15	B3135415000	TENSION RELEASE LINK, B				1.00
16	SD0640231SP	HINGE SCREW D= 6.35 H= 2.3				1.00
17	10123305	TENSION RELEASE LINK, A				1.00
18	SD0720331SP	HINGE SCREW D= 7.24 H= 3.3				1.00
19	10125102	LIFTING LEVER LINK, RIGHT				1.00
20	10125201	CONNECTING ROD, VERTICAL				1.00
21	SD0600322SD	HINGE SCREW D=6 H=3.2				1.00
22	B1509555000	PRESSER SPRING REGULATOR				1.00
23	B1511555000	NUT				1.00
24	11071701	NUT	FOR URBAN WHITE SPECIFICATION PARTS			1.00
25	22907703	PRESSER GUIDE BAR				1.00
26	22907406	PRESSER SPRING	REPLACE THIS PARTS FOR STITCH SPECIFICATION F,(SEE PAGE 12) です。(12ページをご参照ください)			1.00
27	B1501581000	PRESSER BAR				1.00
28	10178754	PRESSER BAR BUSHING LOWER				1.00
29	SS8660610TP	SCREW 1/4-40 L=6		*		1.00
30	22907109	PRESSER BAR BUSHING, LOWER				1.00
31	SS7090910TP	SCREW 9/64-40 L= 8.5				1.00
32	10152759	PRESSER FOOT ASM. 3/16	EXCHANGING GAUGE PARTS SEE PAGE 21 ~ 25 FOR STITCH SPECIFICATIONS A,G AND S AND PAGE 12 AND PAGE 26 FOR STITCH SPECIFICATION F,			1.00
33	B1521555000	SCREW				1.00
34	11071800	HAND LIFTER				1.00
35	RO037180100	RUBBER RING				1.00

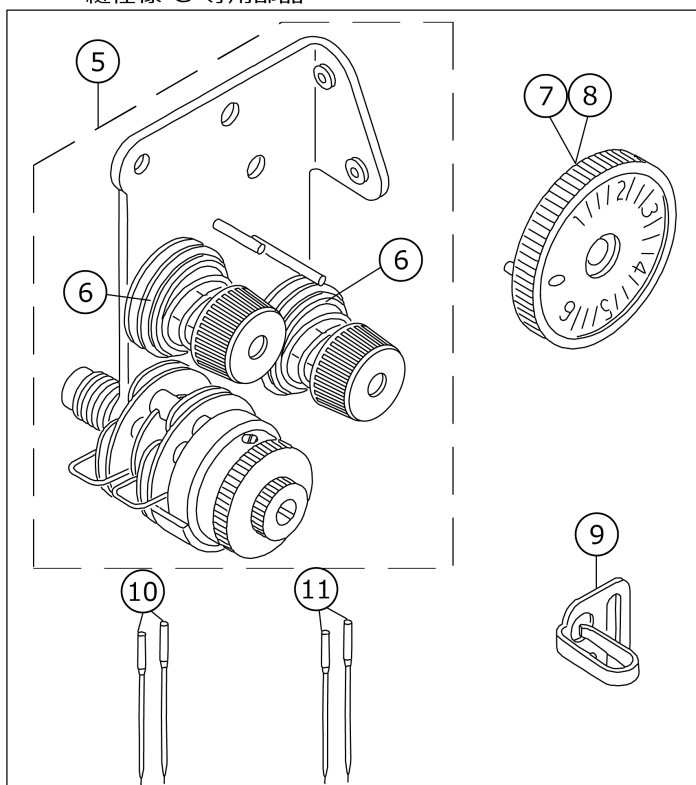
36	WP0740516SP	WASHER 7.4X11.8X0.5				1.00
37	10105575	HAND LIFTER CAM ASM.				1.00
38	11071602	PRESSER SPRING REGULATOR	FOR URBAN WHIT E SPECIFICATIO N PARTS			1.00

EXCLUSIVE PARTS BY STITCH SPECIFICATION (1)

(1) EXCLUSIVE PARTS FOR STITCH SPECIFICATION "A"
縫仕様"A"専用部品



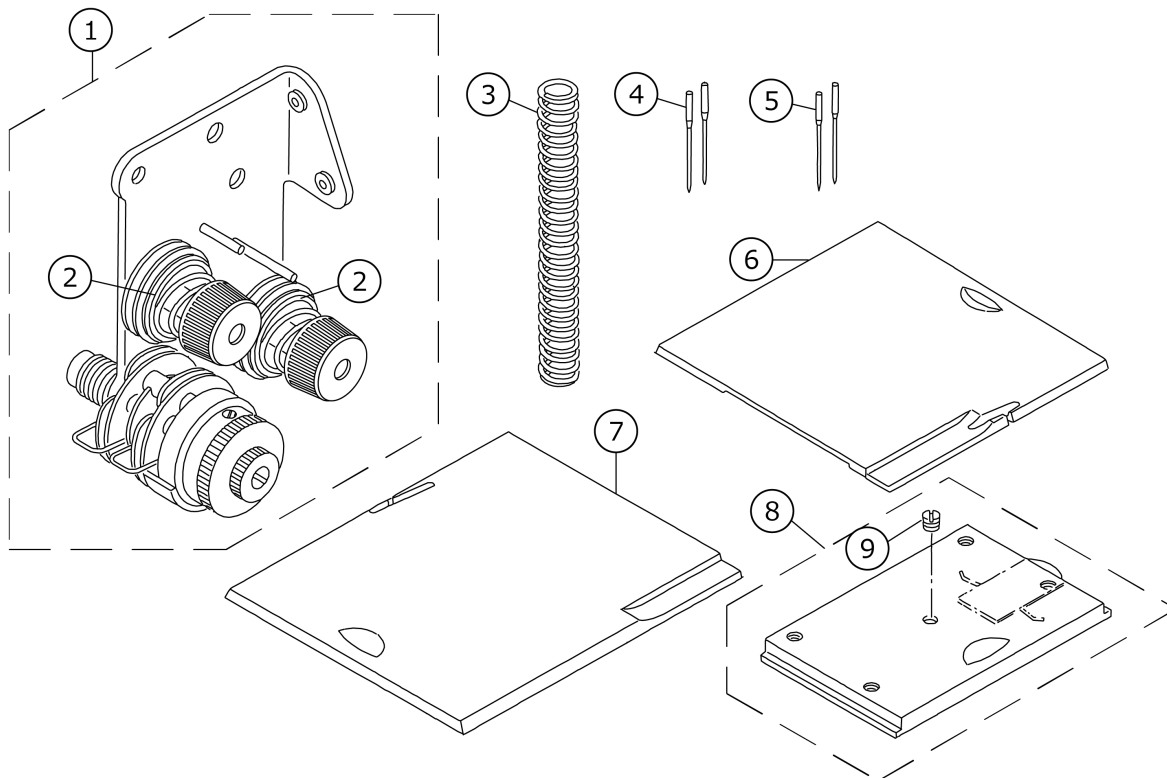
(2) EXCLUSIVE PARTS FOR STITCH SPECIFICATION "G"
縫仕様"G"専用部品



No.	品番	品名	備考	子部品	消耗品	個数
1	10124758	TENSION POST BASE ASM.				1.00
2	D3129555D00	THREAD TENSION SPRING		*		2.00
3	MSG19060900	NEEDLE SGX1906 #9	EXCEPT JE			2.00
4	MC200500650	NEEDLE 134 NM65	FOR JE			2.00
5	10124774	TENSION POST BASE ASM.				1.00
6	B3129526000	TENSION SPRING (1.2)		*		2.00
7	10107357	STITCH DIAL ASM.				1.00
8	10161156	STITCH DIAL ASM.	FOR URBAN WHITE SPECIFICATION PARTS			1.00
9	10188001	THREAD GUIDE, B				1.00
10	MDP500B2100	NEEDLE DPX5 #21	EXCEPT JE			2.00
11	MC200501300	NEEDLE 134 NM130	FOR JE			2.00

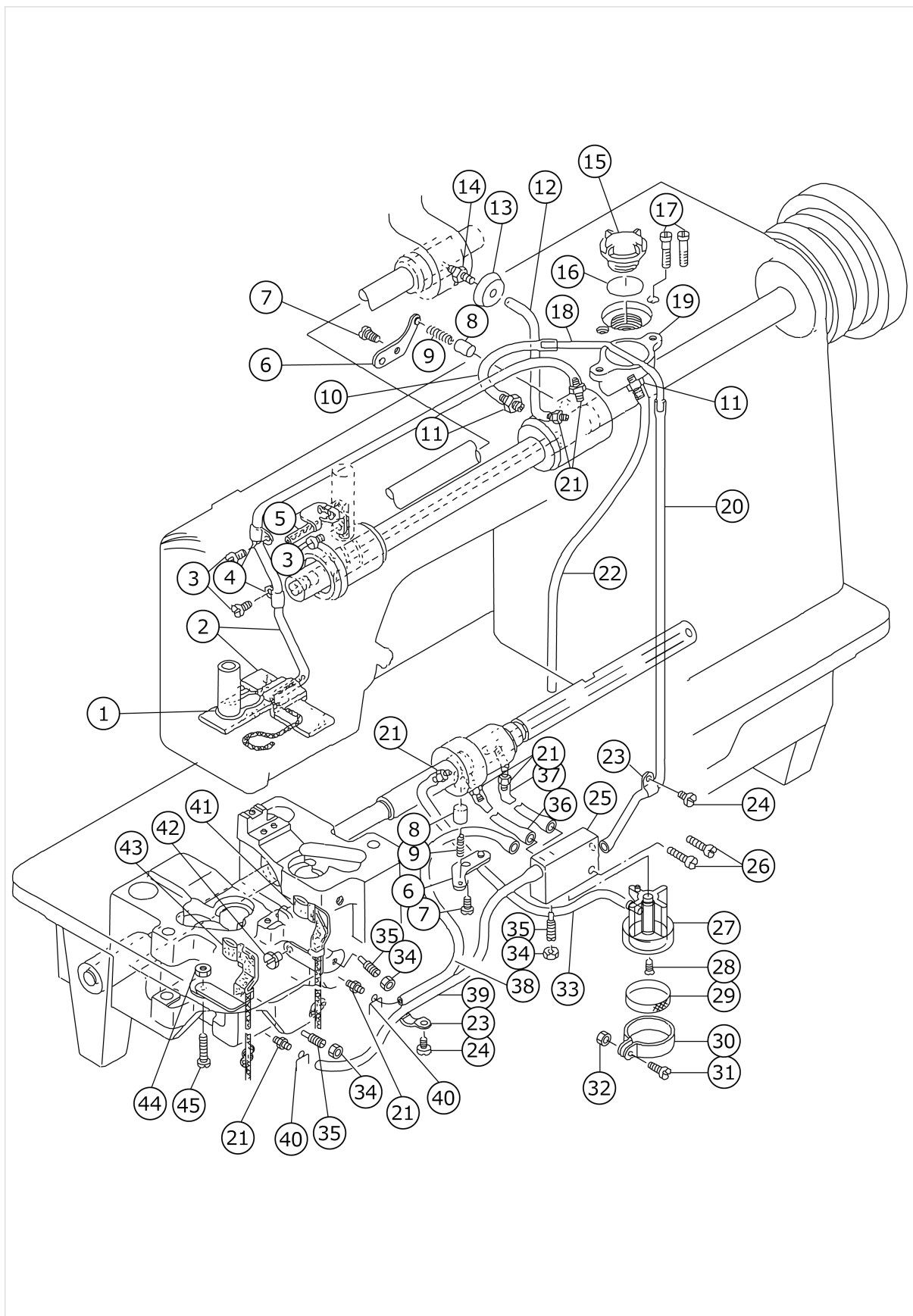
EXCLUSIVE PARTS BY STITCH SPECIFICATION (2)

(3) EXCLUSIVE PARTS FOR STITCH SPECIFICATION "F"
縫仕様" F "専用部品



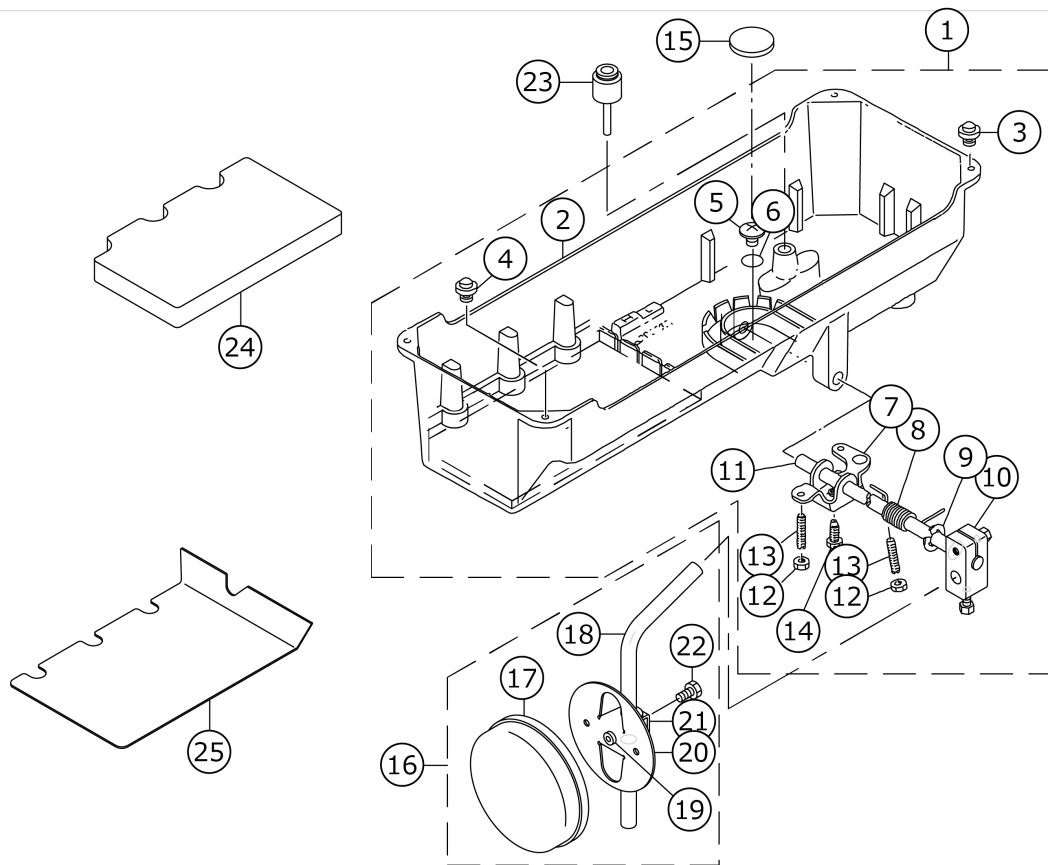
No.	品番	品名	備考	子部品	消耗品	個数
1	10124758	TENSION POST BASE ASM.				1.00
2	D3129555D00	THREAD TENSION SPRING		*		2.00
3	B1505227T00A	PRESSER SPRING T				1.00
4	MSG19650900	NEEDLE SGX1965 #9	EXCEPT JE			2.00
5	MC200500650	NEEDLE 134 NM65	FOR JE			2.00
6	10185205	BED SLIDE, RIGHT	FOR A,B TYPES FOR TAPE ATTACHING WITH STITCH SPECIFICATION,(ONLY STYPE IS COMMON TO STITCH SPECIFICATIONS. SEE PAGE 25)			1.00
7	10185106	BED SLIDE, LEFT	FOR A,B TYPES FOR TAPE ATTACHING WITH STITCH SPECIFICATION,(ONLY STYPE IS COMMON TO STITCH SPECIFICATIONS. SEE PAGE 25)			1.00
8	10185056	BED SLIDE ASM.	FOR A,B TYPES FOR TAPE ATTACHING WITH STITCH SPECIFICATION,(ONLY STYPE IS COMMON TO STITCH SPECIFICATIONS. SEE PAGE 25)			1.00
9	SS8110320SP	SCREW 11/64-40 L= 3.2	FOR A,B TYPES FOR TAPE ATTACHING WITH STITCH SPECIFICATION,(ONLY STYPE IS COMMON TO STITCH SPECIFICATIONS. SEE PAGE 25)	*		1.00

LUBRICATION COMPONENTS



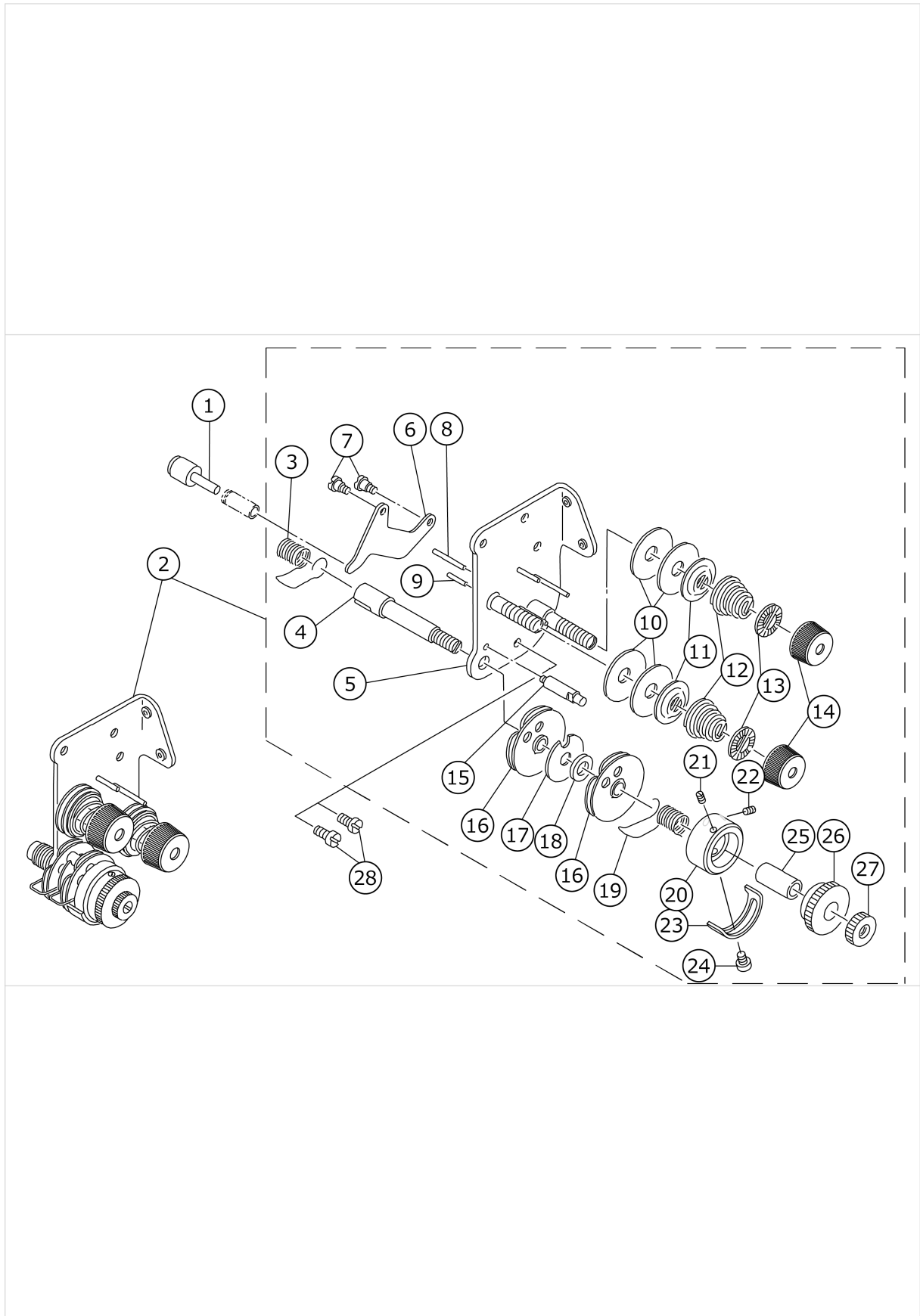
No.	品番	品名	備考	子部品	消耗品	個数
1	22925101	OIL FELT PRESSER				1.00
2	10125755	OIL RETURN FELT ASM.				1.00
3	SS7110710SP	SCREW 11/64-40 L=7				3.00
4	B3538112000	OIL RETURN TUBE HOLDER				2.00
5	10125557	OIL WICK HOLDER ASM.				1.00
6	B3524552000	PLUNGER THRUST PLATE				2.00
7	SS7110710SP	SCREW 11/64-40 L=7				2.00
8	B3534155000	PLUNGER				2.00
9	B1214038000	PLUNGER SPRING				2.00
10	BP300000000	VINYL PIPE				0.10
11	SQ1150451MZ	CONNECTING SCREW				2.00
12	BP300000000	VINYL PIPE				0.10
13	10127009	CONNECTING SCREW CAP				1.00
14	10126902	OIL PIPE CONNECTING SCREW				1.00
15	B3530555000	OIL SIGHT WINDOW				1.00
16	RO195240100	RUBBER RING				1.00
17	SS7111810SP	SCREW 11/64-40 L=18				2.00
18	10126001	OIL TUBE				1.00
19	10125904	OIL TANK				1.00
20	BP300000000	VINYL PIPE				0.40
21	SQ1110401MZ	CONNECTING SCREW				7.00
22	BP300000000	VINYL PIPE				0.30
23	B3538112000	OIL RETURN TUBE HOLDER				2.00
24	SS7110710SP	SCREW 11/64-40 L=7				2.00
25	10623403	BASE				1.00
26	SS6111610SP	SCREW 11/64-40 L=16				2.00
27	22619001	SUCTION				1.00
28	SS2110930SP	SCREW 11/64-40 L=8.7				1.00
29	B1851512000	FILTER SCREEN				1.00
30	B1850512000	BUSHING HOLDER				1.00
31	SS7090910SP	SCREW 9/64-40 L= 8.5				1.00
32	NS6090310SP	NUT 9/64-40				1.00
33	BP300000000	VINYL PIPE				0.20
34	NS6110420SP	NUT 11/64-40				3.00
35	B1834512000A	OIL ADJUSTING SCREW				3.00
36	BP300000000	VINYL PIPE				0.10
37	BP300000000	VINYL PIPE				0.10
38	BP300000000	VINYL PIPE				0.30
39	BP300000000	VINYL PIPE				0.30
40	10126803	OIL TUBE HOLDER				2.00
41	10126654	OIL WICK HOLDER ASM. RIGHT				1.00
42	SS7110340SP	SCREW 11/64-40 L= 3.2				1.00
43	10126555	OIL WICK HOLDER ASM. LEFT				1.00
44	NS6110310SP	NUT 11/64-40				1.00
45	SS7111410SP	SCREW 11/64-40 L=14				1.00

OIL RESERVOIR & KNEE LIFTER COMPONENTS



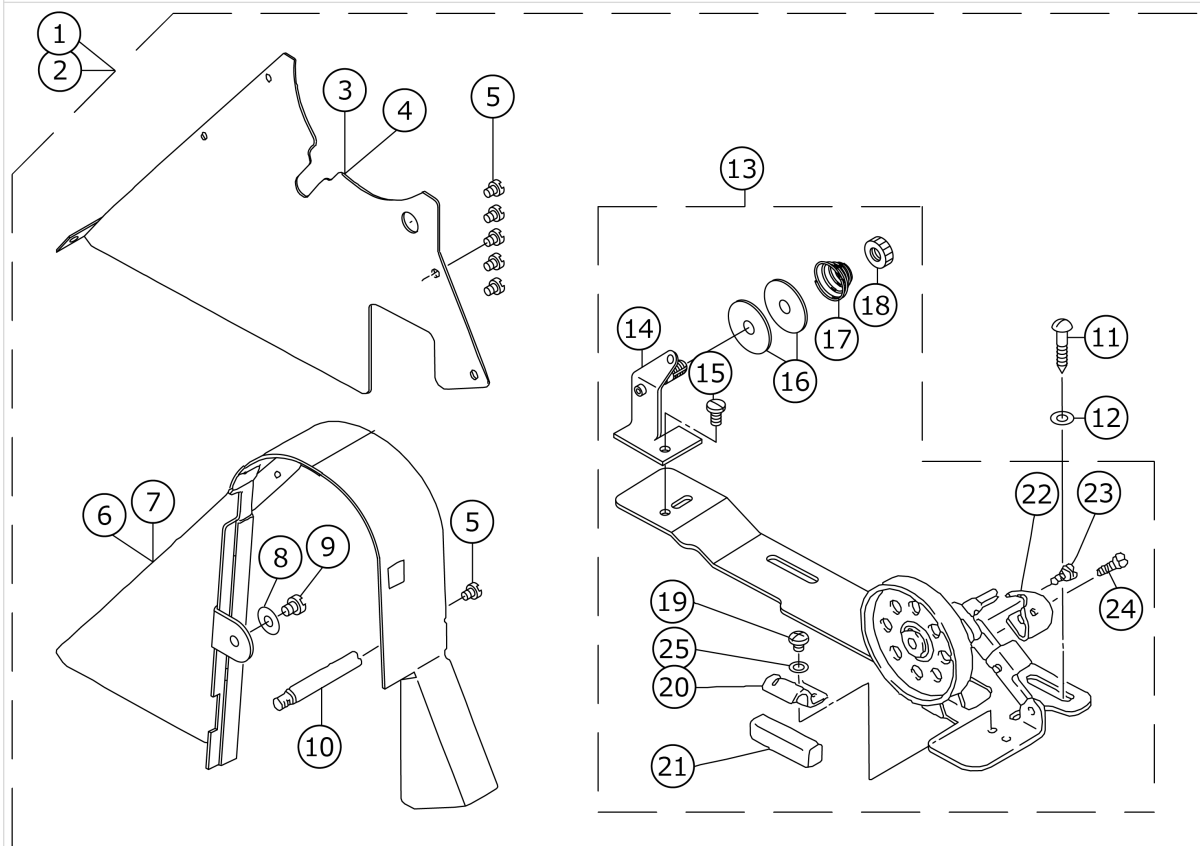
No.	品番	品名	備考	子部品	消耗品	個数
1	10162253	OIL RESERVOIR ASM.				1.00
2	10162204	OIL RESERVOIR		*		1.00
3	10162600	RUBBER CUSHION		*		2.00
4	11047107	RUBBER CUSHION		*		2.00
5	SM0081001SD	SCREW		*		1.00
6	RO098240100	RUBBER RING		*		1.00
7	11024015	CONNECTING ROT, VERTICAL		*		1.00
8	11024106	SPRING		*		1.00
9	RE1000000K0	E-RING 10		*		1.00
10	22932453	BRACKET ASM.		*		1.00
11	11024205	KNEE PRESS ROD		*		1.00
12	NM6060001SE	NUT M6		*		2.00
13	SM8063012TR	SCREW M6 L=30		*		2.00
14	SM9061853SR	SCREW M6 L=17.5		*		1.00
15	B8228125000	OIL RESERVOIR MAGNET				1.00
16	22934251	KNEE PAD PLATE ASM.				1.00
17	22934509	KNEE PAD PLATE COVER		*		1.00
18	22934608	KNEE PAD UPRIGHT SHAFT		*		1.00
19	22934400	KNEE PAD PLATE RUBBER		*		1.00
20	22934202	KNEE PAD PLATE		*		1.00
21	22934301	KNEE PAD PLATE SUPPORT		*		1.00
22	SM9061203SE	SCREW M6 L=12		*		1.00
23	11024304	KNEE PRESS LIFTER ROD				1.00
24	10162501	OIL RESERVOIR SPACER, A				1.00
25	10162402	DUST COVER	FOR JE			1.00

THREAD TENSION CONTROLLER COMPONENTS



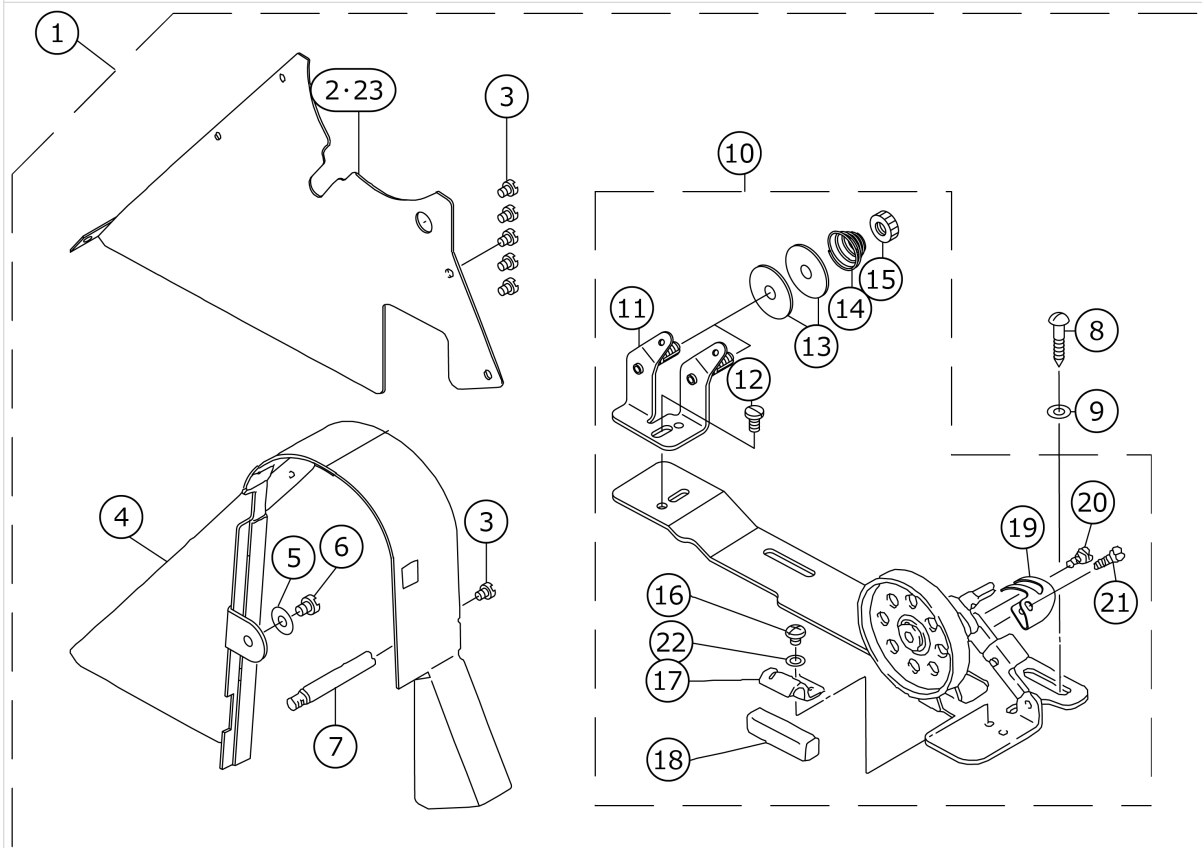
No.	品番	品名	備考	子部品	消耗品	個数
1	10123453	KNEE PRESS LIFTER ROD ASM.				1.00
2	10124766	TENSION POST BASE ASM.	EXCHANGING BY STITCH SPECIFICATION. STITCH SPECIFICATIONS A AND G AND PAGE 12 FOR STITCH SPECIFICATION F, RESPECTIVELY.	*		1.00
3	B3128051000	THREAD TAKE-UP SPRING, A		*		1.00
4	10124501	THREAD TAKE-UP SPRING STUD		*		1.00
5	10124055	TENSION POST ASM.		*		1.00
6	B3134521000	TENSION RELEASE LEVER		*		1.00
7	SD0470281SP	HINGE SCREW D=4.7 H=2.8		*		2.00
8	B3127527000	PIN B		*		1.00
9	B3127051000	TENSION RELEASE PIN, SHORT		*		1.00
10	B3126051000	TENSION DISC		*		4.00
11	B3132051000	TENSION DISC HOLDER		*		2.00
12	B3129012A00	TENSION SPRING	EXCHANGING BY STITCH SPECIFICATION. STITCH SPECIFICATIONS A AND G AND PAGE 12 FOR STITCH SPECIFICATION F, RESPECTIVELY.	*		2.00
13	B3120125000	ROTATING STOPPER		*		2.00
14	11072204	TENSION NUT		*		2.00
15	B3143527000	TAKE-UP SPRING GUIDE STUD		*		1.00
16	B31375270A0	TAKE-UP SPRING GUIDE ASM.		*		2.00
17	B3142527000	TAKE-UP SPRING GUIDE PLATE		*		1.00
18	B3139527000	COLLAR		*		1.00
19	B3128527000	THREAD TAKE-UP SPRING B		*		1.00
20	22617609	THREAD TENSION POST		*		1.00
21	22618904	SET SCREW		*		1.00
22	22618904	SET SCREW		*		1.00
23	B3138527000	ADJUSTING PLATE B		*		1.00
24	SS7090520SP	SCREW 9/64-40 L= 4.5		*		1.00
25	B3141527000	PRESSER COLLAR		*		1.00
26	B3125527000	TAKE-UP SPRING GUIDE		*		1.00
27	B3125012000	THREAD TENSION NUT		*		1.00
28	SS7110710SP	SCREW 11/64-40 L=7				2.00

BELT COVER & BOBBIN WINDER COMPONENTS



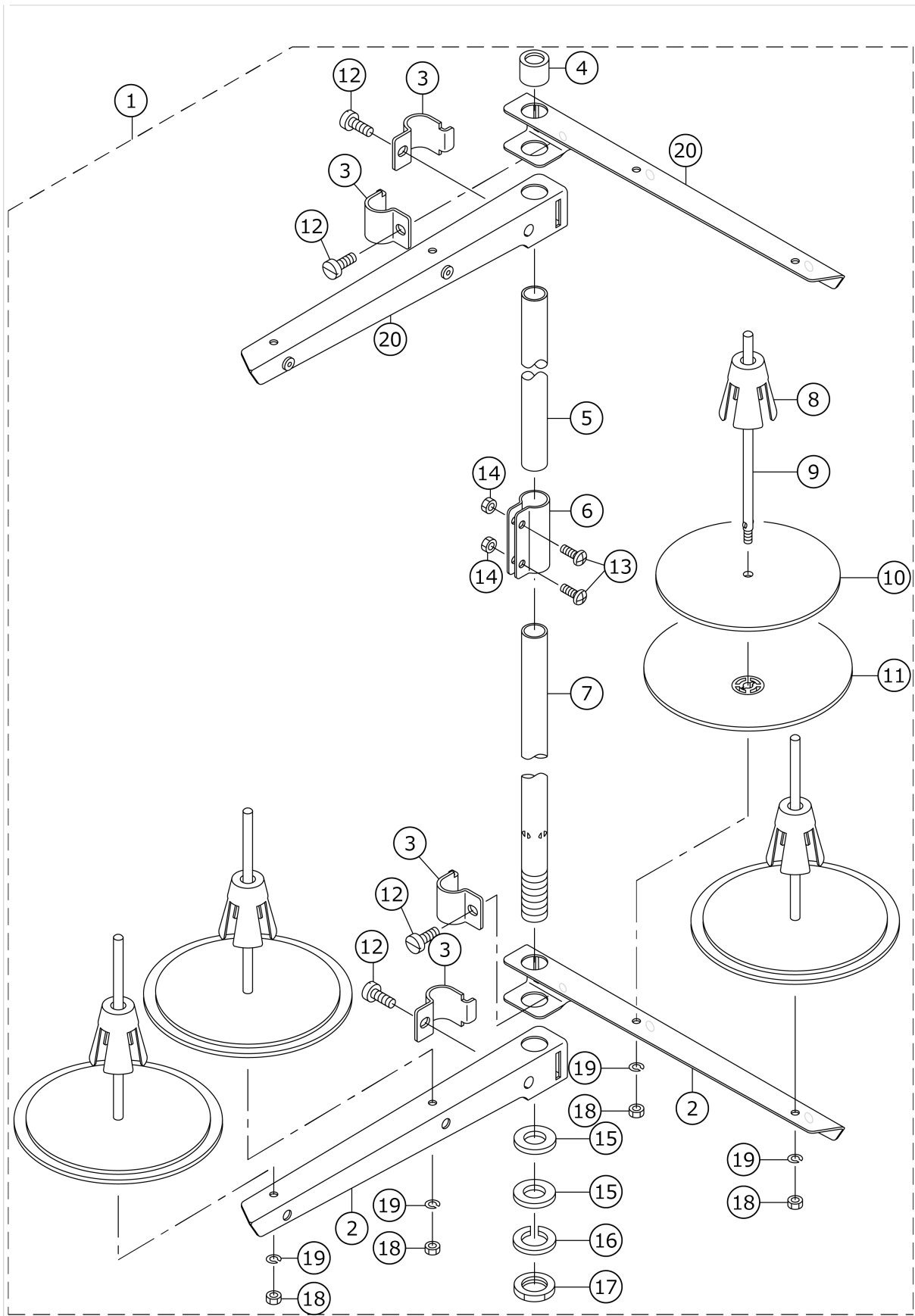
No.	品番	品名	備考	子部品	消耗品	個数
1	10128056	BELT COVER ASM.				1.00
2	10161552	BELT COVER ASM.	FOR URBAN WHITE SPECIFICATION PARTS			1.00
3	10128106	BELT COVER PLATE		*		1.00
4	10419307	BELT COVER PLATE	FOR URBAN WHITE SPECIFICATION PARTS	*		1.00
5	SS7110510SP	SCREW 11/64-40 L=5		*		6.00
6	10128007	BELT COVER		*		1.00
7	10958759	BELT COVER	FOR URBAN WHITE SPECIFICATION PARTS	*		1.00
8	WP0621016SD	WASHER 6.2X13X1		*		1.00
9	SS7150740SP	SCREW 15/64-28 L=7		*		1.00
10	10039105	BELT COVER SUPPORT STUD		*		1.00
11	SK3482500SC	WOOD SCREW D=4.8 L=25		*		2.00
12	WP0501016SC	WASHER 5X10.5X1		*		2.00
13	11077567	BOBBIN WINDER COMPL.		*		1.00
14	11078250	THREAD TENSION BRACKET ASM.		*		1.00
15	SS7110840SP	SCREW 11/64-40 L=7.8		*		1.00
16	B3126012000	THREAD TENSION DISK		*		2.00
17	B3129012B00	THREAD TENSION SPRING		*		1.00
18	B3125012000	THREAD TENSION NUT		*		1.00
19	SS4110515SP	SCREW 11/64-40 L=5		*		1.00
20	11078102	PRESSER PLATE		*		1.00
21	B3211555000	RUBBER BRAKE		*		1.00
22	11078003	POSITIONING FINGER		*		1.00
23	SD0490261SP	HINGE SCREW D=4.9 H=2.6		*		1.00
24	SS7081310SP	SCREW 1/8-44 L=12.5		*		1.00
25	WP0480856SP	WASHER 4.8X8.4X0.8		*		1.00

BELT COVER & BOBBIN WINDER COMPONENTS (SPECIAL PARTS)



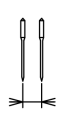

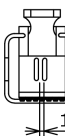


No.	品番	品名	備考	子部品	消耗品	個数
1	10128064	BELT COVER ASM.				1.00
2	10128106	BELT COVER PLATE		*		1.00
3	SS7110510SP	SCREW 11/64-40 L=5		*		6.00
4	10128007	BELT COVER		*		1.00
5	WP0621016SD	WASHER 6.2X13X1		*		1.00
6	SS7150740SP	SCREW 15/64-28 L=7		*		1.00
7	10039105	BELT COVER SUPPORT STUD		*		1.00
8	SK3482500SC	WOOD SCREW D=4.8 L=25		*		2.00
9	WP0501016SC	WASHER 5X10.5X1		*		2.00
10	22621155	THREAD WINDER ASM.		*		1.00
11	22621056	TENSION BAR BASE		*		1.00
12	SS7110840SP	SCREW 11/64-40 L=7.8		*		1.00
13	B3126012000	THREAD TENSION DISK		*		4.00
14	B3129012B00	THREAD TENSION SPRING		*		2.00
15	B3125012000	THREAD TENSION NUT		*		2.00
16	SS4110515SP	SCREW 11/64-40 L=5		*		1.00
17	11078102	PRESSER PLATE		*		1.00
18	B3211555000	RUBBER BRAKE		*		1.00
19	22621106	BOBBIN PRESSER		*		1.00
20	SD0490261SP	HINGE SCREW D=4.9 H=2.6		*		1.00
21	SS7081310SP	SCREW 1/8-44 L=12.5		*		1.00
22	WP0480856SP	WASHER 4.8X8.4X0.8		*		1.00
23	10419307	BELT COVER PLATE	FOR URBAN WHITE SPECIFICATION PARTS	*		1.00

THREAD STAND COMPONENTS



No.	品番	品名	備考	子部品	消耗品	個数
1	26910158	THREAD STANDING DEVICE ASM.				1.00
2	22930507	SPOOL REST ARM		*		2.00
3	22930705	THREAD GUIDE ARM JOINT		*		4.00
4	22931406	SPOOL REST ROD RUBBER CAP		*		1.00
5	22930408	SPOOL REST ROD, UPPER		*		1.00
6	22931307	SPOOL REST ROD JOINT		*		1.00
7	22930309	SPOOL REST ROD, LOWER		*		1.00
8	22931109	SPOOL RETAINER		*		4.00
9	22931000	SPOOL PIN		*		4.00
10	22930903	SPOOL REST CUSHION		*		4.00
11	22930804	SPOOL REST		*		4.00
12	SM6061610SC	SCREW M6 L=16		*		4.00
13	SM4051405SE	SCREW M5 L=14		*		2.00
14	NM6050001SE	NUT M5		*		2.00
15	WP1612616SE	WASHER 16X30X2.6		*		2.00
16	WS1643202KR	SPRING WASHER		*		1.00
17	NM6160511SE	NUT M16X1.5		*		1.00
18	NM6050001SE	NUT M5		*		4.00
19	WS0510002KN	SPRING WASHER		*		4.00
20	22930556	THREAD STANDING ARM ASM.		*		2.00

FOR STITCH SPECIFICATION "S","A","G" (1)

Stitch spec. 縫仕様	S	★	★	☆	☆					
	A	★	☆	★	☆					
Needle gauge size 針幅	Presser Foot asm. 押え(組)									
	Code ゲージ 記号									
	inch	mm	Ref.No.	Part No.	Ref.No.	Part No.	Ref.No.	Part No.	Ref.No.	Part No.
◆◆ A	3/32	2.4	(1)	101-50050						
◆ B	1/8	3.2	(2)	101-50159		*				
◆ C	5/32	4.0	(3)	101-50258	(20)	101-52650		*		*
D	3/16	4.8	(4)	101-50357	(21)	101-52759	(37)	101-56651		*
E	7/32	5.6	(5)	101-50456	(22)	101-52858		*		
F	1/4	6.4	(6)	101-50555	(23)	101-52957	(38)	101-56552	(50)	101-55059
G	9/32	7.1	(7)	101-50654	(24)	101-53054		*		*
H	5/16	7.9	(8)	101-50753	(25)	101-53153	(39)	101-56750	(51)	101-55158
K	3/8	9.5	(9)	101-50852	(26)	101-53252	(40)	101-56859		
W	7/16	11.1	(10)	101-50951	(27)	101-53351		*		
L	1/2	12.7	(11)	101-51058	(28)	101-53450	(41)	101-56958		
M	5/8	15.9	(12)	101-51157	(29)	101-53559	(42)	101-57055		
N	3/4	19.1	(13)	101-51256	(30)	101-53658	(43)	101-57154		
P	7/8	22.2	(14)	101-51355	(31)	101-53757	(44)	101-57253		*
Q	1	25.4	(15)	101-51454	(32)	101-53856	(45)	101-57352		
R	1-1/8	28.6	(16)	101-51553	(33)	101-53955	(46)	101-57451		
S	1-1/4	31.8	(17)	101-51652	(34)	101-54052	(47)	101-57550		
T	1-3/8	34.9	(18)	101-51751	(35)	101-54151	(48)	101-57659		
U	1-1/2	38.1	(19)	101-51750	(36)	101-54150	(49)	101-57658		

- ★ ... Standard specification 標準仕様
- ☆ ... Special specification 特別仕様
- * ... Special order part 特別注文部品
- ◆ ... Except stitch specification "G" 縫仕様 "G" は除く
- ▲ ... Except stitch specification "S" 縫仕様 "S" は除く

See also p.11 for stitch specifications "A", "G"
縫仕様 "A", "G" については11ページも併せてご参照ください。

No.	品番	品名	備考	子部品	消耗品	個数
1	10150050	PRESSER FOOT ASM. 3/32				1.00
2	10150159	PRESSER FOOT ASM. 1/8				1.00
3	10150258	PRESSER FOOT ASM. 5/32				1.00
4	10150357	PRESSER FOOT ASM. 3/16				1.00
5	10150456	PRESSER FOOT ASM. 7/32				1.00
6	10150555	PRESSER FOOT ASM. 1/4				1.00
7	10150654	PRESSER FOOT ASM. 9/32				1.00
8	10150753	PRESSER FOOT ASM. 5/16				1.00
9	10150852	PRESSER FOOT ASM. 3/8				1.00
10	10150951	PRESSER FOOT ASM. 7/16				1.00
11	10151058	PRESSER FOOT ASM. 1/2				1.00
12	10151157	PRESSER FOOT ASM. 5/8				1.00
13	10151256	PRESSER FOOT ASM. 3/4				1.00
14	10151355	PRESSER FOOT ASM. 7/8				1.00
15	10151454	PRESSER FOOT ASM. 1				1.00
16	10151553	PRESSER FOOT ASM. 1-1/8				1.00
17	10151652	PRESSER FOOT ASM. 1-1/4				1.00
18	10151751	PRESSER FOOT ASM. 1-3/8				1.00
19	10151750	PRESSER FOOT ASM. 1-1/2				1.00
20	10152650	PRESSER FOOT ASM. 5/32				1.00
21	10152759	PRESSER FOOT ASM. 3/16				1.00
22	10152858	PRESSER FOOT ASM. 7/32				1.00
23	10152957	PRESSER FOOT ASM. 1/4				1.00
24	10153054	PRESSER FOOT ASM. 9/32				1.00
25	10153153	PRESSER FOOT ASM. 5/16				1.00
26	10153252	PRESSER FOOT ASM. 3/8				0.00
27	10153351	PRESSER FOOT ASM. 7/16				0.00
28	10153450	PRESSER FOOT ASM. 1/2				1.00
29	10153559	PRESSER FOOT ASM. 5/8				1.00
30	10153658	PRESSER FOOT ASM. 3/4				1.00
31	10153757	PRESSER FOOT ASM. 7/8				1.00
32	10153856	PRESSER FOOT ASM. 1				1.00
33	10153955	PRESSER FOOT ASM. 1-1/8				1.00
34	10154052	PRESSER FOOT ASM. 1-1/4				1.00
35	10154151	PRESSER FOOT ASM. 1-3/8				1.00
36	10154150	PRESSER FOOT ASM. 1-1/2				1.00
37	10156651	PRESSER FOOT ASM. 3/16				1.00
38	10156652	PRESSER FOOT ASM. 1/4				1.00
39	10156750	PRESSER FOOT ASM. 5/16				1.00
40	10156859	PRESSER FOOT ASM. 3/8				1.00
41	10156958	PRESSER FOOT ASM. 1/2				1.00
42	10157055	PRESSER FOOT ASM. 5/8				1.00
43	10157154	PRESSER FOOT ASM. 3/4				1.00
44	10157253	PRESSER FOOT ASM. 7/8				1.00
45	10157352	PRESSER FOOT ASM. 1				1.00
46	10157451	PRESSER FOOT ASM. 1-1/8				1.00
47	10157550	PRESSER FOOT ASM. 1-1/4				1.00
48	10157659	PRESSER FOOT ASM. 1-3/8				1.00
49	10157658	PRESSER FOOT ASM. 1-1/2				1.00
50	10155059	SWIVELGUIDE PRESSER FOOT, 1/4				1.00

51	10155158	PRESSER FOOT ASM. 5/16				1.00
----	----------	------------------------	--	--	--	------

FOR STITCH SPECIFICATION "S","A","G" (2)

Stitch spec. 縫仕様		S	★				★				☆			
		A	★				★				★			
Needle gauge size 針幅		Throat plate 針板						Feed Dog 送り歯						
Code ゲージ記号	inch		mm		Stitch length 縫ピッチ: 4mm		Stitch length 縫ピッチ: 6mm		Ø1.6		Ø1.9		Ø2.2	
	Ref.No.	Part No.	Ref.No.	Part No.	Ref.No.	Part No.	Ref.No.	Part No.	Ref.No.	Part No.	Ref.No.	Part No.		
▲◆	A	3/32	2.4	(1)	101-35002			(33)	101-72500					
◆	B	1/8	3.2	(2)	101-35101			(34)	B1613-512-B08 (Ø1.4)		*			
◆	C	5/32	4.0	(3)	101-35200			(35)	101-72708	(52)	102-69209	(69)	102-69308	
	D	3/16	4.8	(4)	101-35309	(20)	101-37503	(36)	101-72807	(53)	B1613-512-D00	(70)	B1613-512-D0H	
	E	7/32	5.6	(5)	101-35408		*	(37)	101-72906	(54)	B1613-512-E00	(71)	B1613-512-E0H	
	F	1/4	6.4	(6)	101-35507	(21)	101-37602	(38)	101-73003	(55)	B1613-512-F00	(72)	B1613-512-F0H	
	G	9/32	7.1	(7)	101-35606		*	(39)	101-73102	(56)	B1613-512-G00	(73)	B1613-512-G0H	
	H	5/16	7.9	(8)	101-35705	(22)	101-37701	(40)	101-73201	(57)	B1613-512-H00	(74)	B1613-512-H0H	
	K	3/8	9.5	(9)	101-35804	(23)	101-37800	(41)	101-73300	(58)	B1613-512-K00	(75)	B1613-512-K0H	
	W	7/16	11.1	(10)	101-35903		*	(42)	101-73409	(59)	B1613-512-W00		*	
	L	1/2	12.7	(11)	101-36000	(24)	101-37909	(43)	101-73508	(60)	B1613-512-L00	(76)	B1613-512-L0H	
	M	5/8	15.9	(12)	101-36109	(25)	101-38006	(44)	101-73607	(61)	B1613-512-M00	(77)	B1613-512-M0H	
	N	3/4	19.1	(13)	101-36208	(26)	101-38105	(45)	101-73706	(62)	B1613-512-N00	(78)	B1613-512-N0H	
	P	7/8	22.2	(14)	101-36307	(27)	101-38204	(46)	101-73805	(63)	B1613-512-P00	(79)	B1613-512-P0H	
	Q	1	25.4	(15)	101-36406	(28)	101-38303	(47)	101-73904	(64)	B1613-512-Q00	(80)	B1613-512-Q0H	
	R	1-1/8	28.6	(16)	101-36505	(29)	101-38402	(48)	101-74001	(65)	B1613-512-R00	(81)	B1613-512-R0H	
	S	1-1/4	31.8	(17)	101-36604	(30)	101-38501	(49)	101-74100	(66)	B1613-512-S00	(82)	B1613-512-S0H	
	T	1-3/8	34.9	(18)	101-36703	(31)	101-38600	(50)	101-74209	(67)	B1613-512-T00	(83)	B1613-512-T0H	
	U	1-1/2	38.1	(19)	101-36802	(32)	101-38709	(51)	101-74308	(68)	B1613-512-U00	(84)	B1613-512-U0H	

- ★ ... Standard specification
 - ☆ ... Special specification
 - * ... Special order part
 - ◆ ... Except stitch specification "G"
 - ▲ ... Except stitch specification "S"
- 標準仕様
特別仕様
特別注文部品
縫仕様 "G" は除く
縫仕様 "S" は除く

See also p.11 for stitch specifications "A", "G"
縫仕様 "A", "G" については11ページも併せてご参照ください。

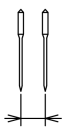
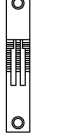
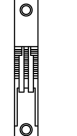
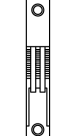
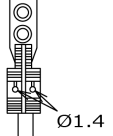
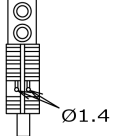
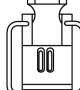
No.	品番	品名	備考	子部品	消耗品	個数
1	10135002	THROAT PLATE 3/32				1.00
2	10135101	THROAT PLATE 1/8				1.00
3	10135200	THROAT PLATE 5/32				1.00
4	10135309	THROAT PLATE 3/16				1.00
5	10135408	THROAT PLATE 7/32				1.00
6	10135507	THROAT PLATE 1/4				1.00
7	10135606	THROAT PLATE 9/32				1.00
8	10135705	THROAT PLATE 5/16				1.00
9	10135804	THROAT PLATE 3/8				1.00
10	10135903	THROAT PLATE 7/16				1.00
11	10136000	THROAT PLATE 1/2				1.00
12	10136109	THROAT PLATE 5/8				1.00
13	10136208	THROAT PLATE 3/4				1.00
14	10136307	THROAT PLATE 7/8				1.00
15	10136406	THROAT PLATE 1				1.00
16	10136505	THROAT PLATE 1-1/8				1.00
17	10136604	THROAT PLATE 1-1/4				1.00
18	10136703	THROAT PLATE 1-3/8				1.00
19	10136802	THROAT PLATE 1-1/2				1.00
20	10137503	THROAT PLATE 3/16				1.00
21	10137602	THROAT PLATE 1/4				1.00
22	10137701	THROAT PLATE 5/16				1.00
23	10137800	THROAT PLATE 3/8				1.00
24	10137909	THROAT PLATE 1/2				1.00
25	10138006	THROAT PLATE 5/8				1.00
26	10138105	THROAT PLATE 3/4				1.00
27	10138204	THROAT PLATE 7/8				1.00
28	10138303	THROAT PLATE 1				1.00
29	10138402	THROAT PLATE 1-1/8				1.00
30	10138501	THROAT PLATE 1-1/4				1.00
31	10138600	THROAT PLATE 1-3/8				1.00
32	10138709	THROAT PLATE 1-1/2				1.00
33	10172500	FEED DOG 3/32				1.00
34	B1613512B0B	FEED DOG 1/8				1.00
35	10172708	FEED DOG 5/32				1.00
36	10172807	FEED DOG 3/16				1.00
37	10172906	FEED DOG 7/32				1.00
38	10173003	FEED DOG 1/4				1.00
39	10173102	FEED DOG 9/32				1.00
40	10173201	FEED DOG 5/16				1.00
41	10173300	FEED DOG 3/8				1.00
42	10173409	FEED DOG 7/16				1.00
43	10173508	FEED DOG 1/2				1.00
44	10173607	FEED DOG 5/8				1.00
45	10173706	FEED DOG 3/4				1.00
46	10173805	FEED DOG 7/8				1.00
47	10173904	FEED DOG 1				1.00
48	10174001	FEED DOG 1-1/8				1.00
49	10174100	FEED DOG 1-1/4				1.00
50	10174209	FEED DOG 1-3/8				1.00

51	10174308	FEED DOG 1-1/2				1.00
52	10269209	FEED DOG 5/32				1.00
53	B1613512D00	FEED DOG 3/16				1.00
54	B1613512E00	FEED DOG 7/32				1.00
55	B1613512F00	FEED DOG 1/4				1.00
56	B1613512G00	FEED DOG 9/32				1.00
57	B1613512H00	FEED DOG 5/16				1.00
58	B1613512K00	FEED DOG 3/8				1.00
59	B1613512W00	FEED DOG 7/16				1.00
60	B1613512L00	FEED DOG 1/2				1.00
61	B1613512M00	FEED DOG 5/8				1.00
62	B1613512N00	FEED DOG 3/4				1.00
63	B1613512P00	FEED DOG 7/8				1.00
64	B1613512G00	FEED DOG 9/32				1.00
65	B1613512R00	FEED DOG 1-1/8				1.00
66	B1613512S00	FEED DOG 1-1/4				1.00
67	B1613512T00	FEED DOG 1-3/8				1.00
68	B1613512U00	FEED DOG 1-1/2				1.00
69	10269308	FEED DOG 5/32				1.00
70	B1613512D0H	FEED DOG 3/16				1.00
71	B1613512E0H	FEED DOG 7/32				1.00
72	B1613512F0H	FEED DOG 1/4				1.00
73	B1613512G0H	FEED DOG 9/32				1.00
74	B1613512H0H	FEED DOG 5/16				1.00
75	B1613512K0H	FEED DOG 3/8				1.00
76	B1613512L0H	FEED DOG 1/2				1.00
77	B1613512M0H	FEED DOG 5/8				1.00
78	B1613512N0H	FEED DOG 3/4				1.00
79	B1613512P0H	FEED DOG 7/8				1.00
80	B1613512Q0H	FEED DOG 1				1.00
81	B1613512R0H	FEED DOG 1-1/8				1.00
82	B1613512S0H	FEED DOG 1-1/4				1.00
83	B1613512T0H	FEED DOG 1-3/8				1.00
84	B1613512U0H	FEED DOG 1-1/2				1.00

No.	品番	品名	備考	子部品	消耗品	個数
1	10147551	NEEDLE CLAMP ASM. 3/32				1.00
2	10147650	NEEDLE CLAMP ASM. 1/8				1.00
3	10147759	NEEDLE CLAMP ASM. 5/32				1.00
4	10147858	NEEDLE CLAMP ASM. 3/16				1.00
5	10147957	NEEDLE CLAMP ASM. 7/32				1.00
6	10148054	NEEDLE CLAMP ASM. 1/4				1.00
7	10148153	NEEDLE CLAMP ASM. 9/32				1.00
8	10148252	NEEDLE CLAMP ASM. 5/16				1.00
9	10148351	NEEDLE CLAMP ASM. 3/8				1.00
10	10148450	NEEDLE CLAMP ASM. 7/16				1.00
11	10148559	NEEDLE CLAMP ASM. 1/2				1.00
12	10148658	NEEDLE CLAMP ASM. 5/8				1.00
13	10148757	NEEDLE CLAMP ASM. 3/4				1.00
14	10148856	NEEDLE CLAMP ASM. 7/8				1.00
15	10148955	NEEDLE CLAMP ASM. 1				1.00
16	10149052	NEEDLE CLAMP ASM. 1-1/8				1.00
17	10149151	NEEDLE CLAMP ASM. 1-1/4				1.00
18	10149250	NEEDLE CLAMP ASM. 1-3/8				1.00
19	10149359	NEEDLE CLAMP ASM. 1-1/2				1.00
20	10146009	BED SLIDE, LEFT 3/32 TO 7/16				1.00
21	10146108	BED SLIDE, LEFT 1/2 TO 3/4				1.00
22	10146207	BED SLIDE, LEFT 7/8 TO 1-1/8				1.00
23	10146306	BED SLIDE, LEFT 1-1/4 TO 1-1/				1.00
24	10146504	BED SLIDE, RIGHT 3/32 TO 7/16				1.00
25	10146603	BED SLIDE, RIGHT 1/2 TO 3/4				1.00
26	10146702	BED SLIDE, RIGHT 7/8 TO 1-1/8				1.00
27	10146801	BED SLIDE, RIGHT 1-1/4 TO 1-1				1.00
28	B18025120A0A	BUSHING ASM., FRONT				1.00
29	B18025120AB	BUSHING ASM., FRONT				1.00
30	B18035150A0	BUSHING ASM., INTERMEDIATE				1.00
31	10112357	BUSHING ASM. INTERMEDIATE				1.00

FOR STITCH SPECIFICATION"F"

★...Standard specification 標準仕様
 *...Special order part 特別注文部品

Standard type 標準タイプ	★ common to stitch spec. "S" 縫仕様"S"と共通						★				★			
Tape attaching,A type テープ付けAタイプ			★				★				★			
Tape attaching,B type テープ付けBタイプ							★		★		★			
Needle gauge size 針幅	Throat Plate 針板						Feed Dog 送り歯				Presser Foot asm. 押さえ			
Code ゲージ 記号														
	inch	mm	Ref.No.	Part No.	Ref.No.	Part No.	Ref.No.	Part No.	Ref.No.	Part No.	Ref.No.	Part No.	Ref.No.	Part No.
B	1/8	3.2	①	101-35101	⑥	101-85304	⑫	101-85601	⑮	B1613-512-B0B	⑳	101-86302	㉓	101-85957
D	3/16	4.8	②	101-35309	⑦	101-85403	⑬	101-85700	⑯	B1613-512-D0B	㉑	101-86401	㉔	101-86054
F	1/4	6.4	③	101-35507		*		*	⑰	B1613-512-F0B		*		*
G	9/32	7.1	④	101-35606	⑪	101-85502	⑭	101-85809	⑱	B1613-512-G0B	㉒	101-86500	㉕	101-86153
H	5/16	7.9	⑤	101-35705		*		*	⑲	B1613-512-H0B		*		*

Note(注記)

All types of Needle Clamp asm.,Bushing asm.,Front,Bushing asm.,Intermediate,
 and Standard types of Bed Slide Left, Bed Slide Right,are common
 to stitch spification "S". (See p.25)

全タイプの針留、下軸前メタル(組)、下軸中メタル(組)及び標準タイプの滑り板(組)、滑り板(左)、(右)は縫仕様"S"と共通です。(25ページをご参照ください。)

See p.12 for the common parts to stitch specification "F".

縫仕様"F"共通部品については12ページをご参照下さい。

No.	品番	品名	備考	子部品	消耗品	個数
1	10135101	THROAT PLATE 1/8				1.00
2	10135309	THROAT PLATE 3/16				1.00
3	10135507	THROAT PLATE 1/4				1.00
4	10135606	THROAT PLATE 9/32				1.00
5	10135705	THROAT PLATE 5/16				1.00
6	10185304	THROAT PLATE 1/8				1.00
7	10185403	THROAT PLATE 3/16				1.00
8	10185502	THROAT PLATE 9/32				1.00
9	10185601	THROAT PLATE 1/8				1.00
10	10185700	THROAT PLATE 3/16				1.00
11	10185809	THROAT PLATE 9/32				1.00
12	B1613512B0B	FEED DOG 1/8				1.00
13	B1613512D0B	FEED DOG 3/16				1.00
14	B1613512F0B	FEED DOG 1/4				1.00
15	B1613512G0B	FEED DOG 9/32				1.00
16	B1613512H0B	FEED DOG 5/16				1.00
17	10186302	FEED DOG 1/8				1.00
18	10186401	FEED DOG 3/16				1.00
19	10186500	FEED DOG 9/32				1.00
20	10185957	PRESSER FOOT ASM. 1/8				1.00
21	10186054	PRESSER FOOT ASM. 3/16				1.00
22	10186153	PRESSER FOOT ASM. 9/32				1.00
23	10185957	PRESSER FOOT ASM. 1/8				1.00
24	10186054	PRESSER FOOT ASM. 3/16				1.00
25	10186153	PRESSER FOOT ASM. 9/32				1.00

HOW TO MAKE USE OF THIS PARTS LIST

1.Explanation of codes

1)"*"mark.....means this part is changed from the previous parts book.

As to the details of the change, refer to the "List for information of change".

2)"#01".....refer to "Note" explanation at bottom of page.

2.Codes on the "Qty" column

· Each numeral indicates the number of parts required.

· "0.1" and "2.5" indicate the length (in meters) of the respective parts.

3.Parentheses mean that the corresponding part is a subpart that constructs an assembly part.

4.Dotted lines on the Figures indicate assembly parts.

1."注記"欄の記号説明

1) "*"印.....前回のパーツブックに比較して今回変更された部品を意味します。

変更内容は、"変更情報リスト"を参照してください。

2) "#01".....ページ下の"注記"の説明を参照してください。

2.数量欄の数字は、個数を表し、0.1、2.5等の数値は、長さ（単位メートル）を表します。

3.数量欄の（ ）は、組部品を構成している子部品であることを意味します。

4.イラストページの-----枠は、組構成であることを意味します。